

Features

- Compact and lightweight 4000 Lumens flashlight
- Utilizes four CREE XM-L2 U3 LEDs
- Uses four 18650 batteries for maximum runtime up to 560 hours
- Features advanced temperature regulation (ATR) technology
- Innovative two-stage side switch accesses various modes and functions (Chinese Patent: ZL201120062948.1)
- Integrated power indicator in side switch indicates remaining battery power (Chinese Patent: ZL201220057767.4)
- Power indicator displays battery voltage accurate to 0.1V
- Intelligent memory function for brightness levels
- Direct access to ultralow and turbo outputs
- Toughened ultra-clear mineral glass with anti-reflective coating
- Integrated "Precision Digital Optics Technology" provides extreme reflector performance
- Stainless steel bezel ring protects core components from damage
- Constructed from aerospace grade aluminum alloy
- HAIII military grade hard-anodized
- Waterproof in accordance with IPX-8 (submersible to 2 meters)
- Tail stand capability

Dimensions

Length: 4.74" (117mm)
 Head diameter: 1.97" (50mm)
 Tube diameter: 1.97" (50mm)
 Weight: 9.39oz (266g) (without batteries)

Accessories

Quality holster, lanyard,
 spare O-ring

Battery Options

	TYPE	Nominal voltage	Compatible
18650 Rechargeable Li-ion battery	18650	3.7V	Yes (Recommended)
Primary Lithium battery	CR123	3V	NO
Rechargeable Li-ion battery	RCR123	3.7V	NO

***Warning:** Do not use the TM06S with RCR123 or CR123 batteries. Otherwise the flashlight may be damaged.

Output & Runtime

FL 1 STANDARD	TURBO	HIGH	MID	LOW	LOWER
	4000 LUMENS	1500 LUMENS	480 LUMENS	160 LUMENS	3 LUMENS
	1h	4h	11h15min	32h	560h
	359m (Beam Distance)				
	32,300cd (Peak Beam Intensity)				
	1.5m (Impact Resistant)				
	IPX-8, 2m (Waterproof AND Submersible)				

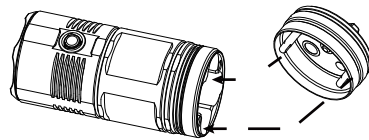
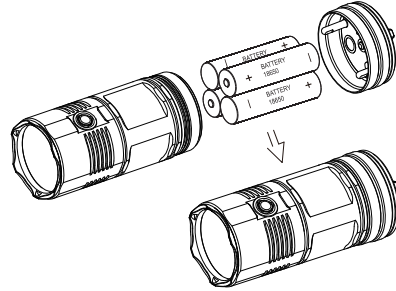
NOTICE:

The above data has been measured in accordance with the international flashlight testing standards ANSI/NEMA FL1 using 4 x 3.7V 3400mAh 18650 batteries under laboratory conditions. The data may vary slightly during real-world use due to battery type, individual usage habits and environmental factors.

Operating Instructions

Battery Installation

1. Insert batteries with the positive (+) and negative (-) ends corresponding to the diagram on the inside of the battery compartment.
2. Tighten the tailcap by aligning the two metal pins on the tailcap with the corresponding holes on the flashlight body, and rotate clockwise.



NOTE: After loading batteries, the power indicator light will blink to indicate battery voltage. Please refer to "Power Tips" section of this manual for details

WARNING:

1. Do not mix batteries of different types/brands.
2. When the TM06S is stored in a backpack or left unused for extended periods, Nitecore recommends the tailcap is loosened to cut off the power entirely, thus preventing accidental activation of the flashlight.

On/Off Operation

To turn on: press the side switch all the way down until a "click" is heard;
 To turn off: press the side switch all the way down again until a "click" is heard to turn the light off and enter standby mode.
 Standby mode: In standby mode, press the side switch partway down to activate the power indicator to flash once every three seconds, thus helping users locate the flashlight in dark conditions. To turn off the power indicator, press the side switch half way down again.
 In standby mode, the TM06S operates for up to 40 days with the power indicator on and up to 138 days with the power indicator off.

Brightness Levels

With the light turned on, press the side switch partway down repeatedly to cycle through lower, low, medium, high and turbo brightness levels. TM06S has memory effect for brightness levels. When the flashlight is turned on, it will resume on the brightness level last used.

Direct Accesses to Lower/Turbo

In standby mode, press and hold side switch partway down to enter lower mode (3 lumens).
 In standby mode, press and hold the side switch all the way down to enter turbo mode (4000 lumens)

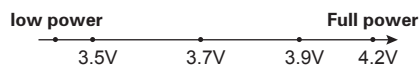
Special Modes (Strobe/Location Beacon/SOS)

With the light turned on, press and hold the side switch all the way down for more than one second to enter Strobe mode. To cycle through SOS,

Location Beacon and Strobe modes, press the side switch partway down for more than one second. To exit special mode and resume the previously used output, press the side switch all the way down to turn the TM06S off.

Power Tips

1. With the light turned on, the blue LED built into the switch will flash once every two seconds when battery power levels are below 50%. The blue LED will flash rapidly when battery power is close to depletion.
2. Each time batteries are inserted, the power indicator light will blink in varying patterns to indicate battery voltage (accurate to $\pm 0.1V$). For example, when battery voltage is at 4.2V, the power indicator will blink 4 times in quick succession, followed by a one second pause, and then two more blinks. Different voltages represent the corresponding remaining battery power levels:



NOTE: When a detected battery is not of the 18650 type, the power indicator light will blink rapidly to notify the user.

ATR Technology

Advanced temperature regulation (ATR) technology allows the TM06S to dynamically adjust output performance according to its body temperature. This prevents damage from overheating and prolongs its working life.

Changing/Charging Batteries

Batteries should be replaced when any of the following occurs: The power indicator blinks rapidly, output appears to be dim or the flashlight becomes unresponsive.

Maintenance

Every 6 months, threads should be wiped with a clean cloth followed by a thin coating of silicon-based lubricant.

Warranty Service

All NITECORE® products are warranted for quality. Any defective / malfunctioning NITECORE® product can be repaired free of charge for a period of 60 months (5 years) from the date of purchase. Beyond 60 months (5 years), a limited warranty applies, covering the cost of labor and maintenance, but not the cost of accessories or replacement parts. The warranty is nullified in all of the following situations:

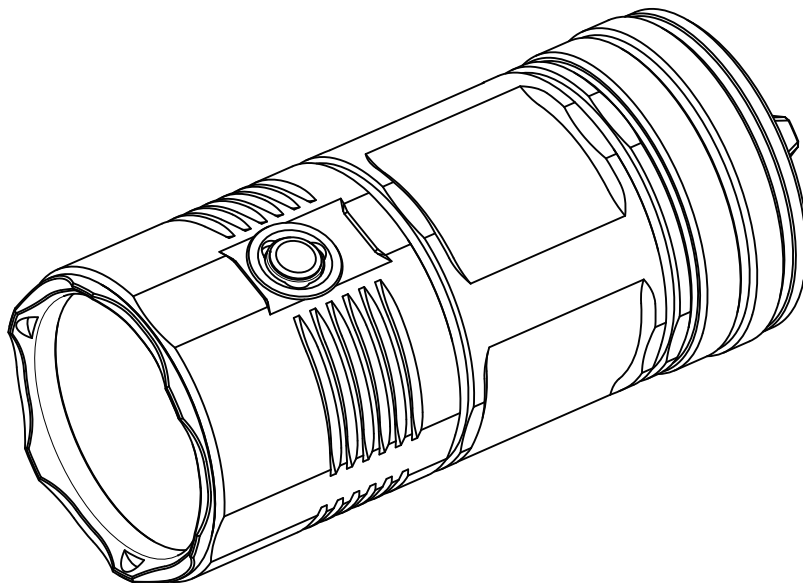
1. The product(s) is/are broken down, reconstructed and/or modified by unauthorized parties.
2. The product(s) is/are damaged through improper use.
3. The product(s) is/are damaged by leakage of batteries.

For the latest information on NITECORE® products and services, please contact local NITECORE® distributor or send an email to service@nitecore.com

※ All images, text and statements specified herein this user manual are for reference purpose only. Should any discrepancy occurs between this manual and information specified on www.nitecore.com, information on our official website shall prevail. Sysmax Industry Co., Ltd. reserves the rights to interpret and amend the content of this document at any time without prior notice.



Please find us on facebook: **NITECORE Flashlights**



SYSMAX inc.

SYSMAX Industry Co., Ltd.

TEL: +86-20-83862000

FAX: +86-20-83882723

E-mail: info@nitecore.com

Web: www.nitecore.com

Address: Rm1401-03, Glorious Tower, 850 East Dongfeng Road, Guangzhou, China 510600

