

Features

- Utilizes 4 CREE XP-L HI V3 LEDs
- Maximum output up to 3600 lumens
- Features advanced temperature regulation (ATR) technology
- Boasts a peak beam intensity of 252,000cd and a throw distance up to 1003 meters
- Dual-switch user interface ensures easy one-handed operation
- Features 5 brightness levels and 3 special modes
- High efficiency circuit board provides max runtime up to 610 hours
- Integrated power indicator light displays remaining battery power (Chinese Patent: ZL201220057767.4)
- Built-in power indicator displays battery voltage (accurate to 0.1V)
- Direct access to ultra-low or turbo ensures flexibility and convenience
- Reverse polarity protection prevents damage from incorrectly inserted batteries
- Rear tripod receptacle brings extra functionality
- Toughened ultra-clear mineral glass with anti-reflective coating
- Constructed from aerograde aluminum alloy
- Sturdy HAIII military grade hard-anodized
- Waterproof in accordance with IPX-8 (two meters submersible)
- Impact resistant to 1.5 meters
- Tail stand capability

Dimensions

Length: 182mm (7.17")
 Head diameter: 89mm (3.5")
 Tube diameter: 53mm (2.09")
 Weight: 521g (18.38oz)(without battery)

Accessories

Lanyard, spare O-ring

Battery Options

	Type	Nominal voltage	Compatible
18650 Rechargeable Li-ion battery	18650	3.7V	Yes (Recommended)
Primary Lithium battery	CR123	3V	NO
Rechargeable Li-ion battery	RCR123	3.7V	NO

*Warning: Do not use the TM16 with RCR123 or CR123 batteries.

Output & Runtime

FL 1 STANDARD	TURBO	HIGH	MID	LOW	LOWER
	3600 LUMENS	1500 LUMENS	500 LUMENS	210 LUMENS	5 LUMENS
	1h	3h15min	7h15min	21h	610h
	1,003m (Beam Distance)				
	252,000cd (Peak Beam Intensity)				
	1.5m (Impact Resistant)				
	IPX-8, 2m (Waterproof AND Submersible)				

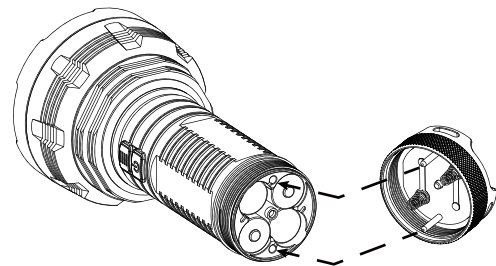
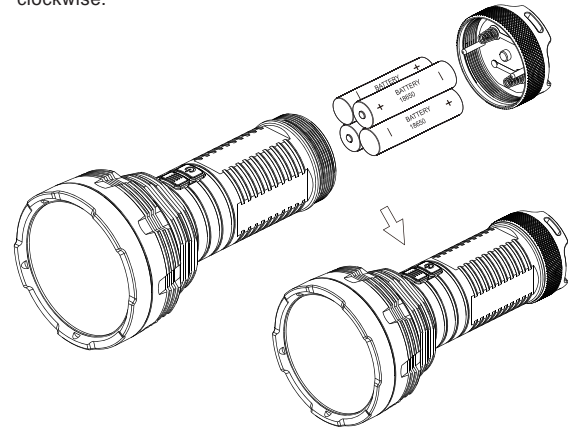
NOTICE:

The above data has been measured in accordance with the international flashlight testing standards ANSI/NEMA FL1 using 4 x 18650 (3.7V 3400mAh) batteries under laboratory conditions. The data may vary slightly during real-world use due to battery type, individual usage habits and environmental factors.

Operating Instructions

Battery Installation

1. Insert batteries with the positive (+) and negative (-) ends corresponding to the diagram on the inside of the battery compartment.
2. Tighten the tailcap by aligning the two gold pins on the inside of the tailcap with the corresponding holes on the flashlight body, and rotate clockwise.



NOTE: Upon battery installation, the power indicator light will blink to indicate the battery voltage. Please refer to the "Power Tips" section of this manual for details.

WARNING:

1. Do not mix batteries of different types/brands.
2. When the TM16GT is stored in a backpack or left unused for extended periods, Nitecore recommends that batteries are removed to cut off the power entirely, thus preventing battery drain or accidental activation of the flashlight.

On/Off Operation

To turn on: press the on/off switch to turn the light on.

To turn off: press the on/off switch again to turn the light off.

Standby Mode

With the light turned on, press and hold the on/off switch for more than one second to turn off the light and activate location indication. The blue power indicator built in the side switches will blink once every three seconds to indicate the location of the TM16GT. In this mode, the TM16GT will operate for approximately 6 months. With the power indicator off in standby mode, the TM16GT can run for over 6 months.


Brightness Levels


With the light turned on, press the mode switch to cycle through brightness levels of lower, low, medium, high and turbo. The TM16GT memorizes the brightness level last used when turned off, and enters the memorized brightness level directly upon next activation.

NITECORE®




The All-Round Flashlight Expert

Direct Access to Lower/Turbo


With the light turned off, press and hold the on/off switch  for more than one second to enter lower output of 5 lumens;

With the light turned off, press and hold the mode switch  for more than one second to enter turbo output of 3600 lumens.


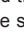
Special Modes (Strobe/Location Beacon/SOS)

With the light turned on, press and hold the mode switch  for more than one second to enter strobe mode. To cycle through all three modes of Location Beacon / SOS / Strobe, press and hold the mode switch  for more than one second again. To exit special modes, simply press the on/off switch .

Direct access to strobe:


With the light turned off, press the mode switch  twice in quick succession to enter strobe mode instantly. To exit, press any switch and the light will turn off.

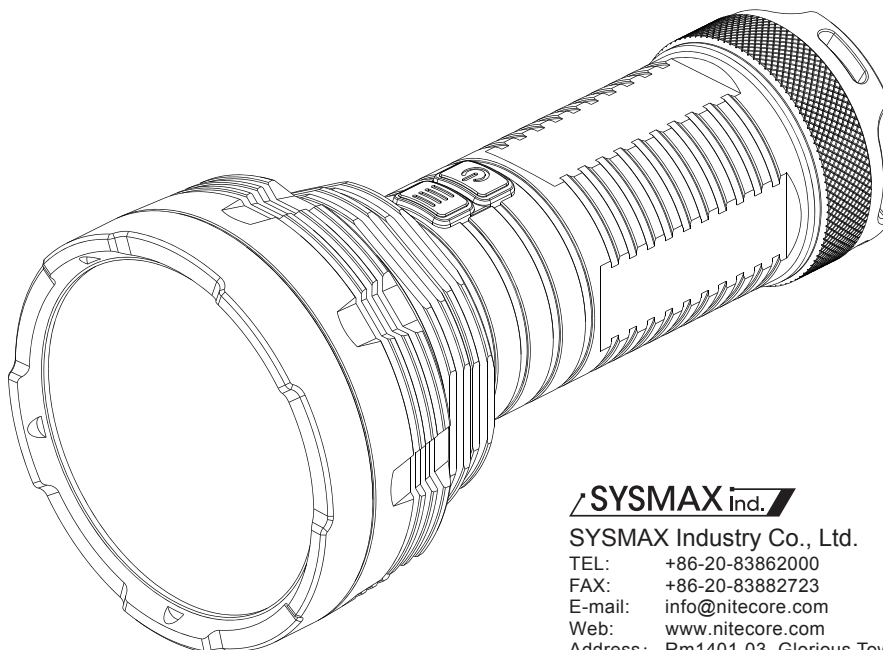
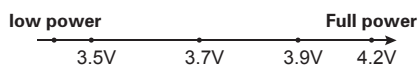
Lockout/Unlock

With the light turned either on or off, press and hold the on/off  and mode switches  simultaneously for more than one second to enter lockout mode. Once in lockout mode, neither switch will be functional. To exit lockout mode, press and hold both switches simultaneously for more than one second (repeat the step for entering lockout mode). The TM16GT will operate in lockout mode for over 1 year.

Note: Lockout mode prevents accidental activation of the flashlight and reduces battery consumption.

Power Tips

1. When the light is off, press the mode switch  to activate the blue power indicator. The power indicator light will blink 3 times when power level is above 50%; twice when power level is below 50% or once when batteries are close to depletion (below 10%).
2. Upon battery installation, the blue power indicator will blink to indicate battery voltage (accurate to 0.1V). For example, when battery voltage is at 4.2V, the blue power indicator will blink 4 times, followed by a one second pause and another 2 blinks. Different voltages represent the corresponding remaining battery power levels:



ATR Technology

Advanced temperature regulation (ATR) technology allows the TM16GT to dynamically adjust output performance according to its body temperature. This prevents damage from overheating and prolongs its working life.

Changing Batteries

Batteries should be replaced or recharged when output appears to be dim or the flashlight becomes unresponsive.

Maintenance

Every 6 months, threads should be wiped with a clean cloth followed by a thin coating of silicon-based lubricant.

Warranty Service

All NITECORE® products are warranted for quality. Any defective / malfunctioning NITECORE® product can be repaired free of charge for a period of 60 months (5 years) from the date of purchase. Beyond 60 months (5 years), a limited warranty applies, covering the cost of labor and maintenance, but not the cost of accessories or replacement parts. The warranty is nullified in all of the following situations:

1. The product(s) is/are broken down, reconstructed and/or modified by unauthorized parties.
2. The product(s) is/are damaged through improper use.
3. The product(s) is/are damaged by leakage of batteries.

For the latest information on NITECORE® products and services, please contact a local NITECORE® distributor or send an email to service@nitecore.com

※All images, text and statements specified herein this user manual are for reference purpose only. Should any discrepancy occurs between this manual and information specified on www.nitecore.com, information on our official website shall prevail. Sysmax Industry Co., Ltd. reserves the rights to interpret and amend the content of this document at any time without prior notice.



Please find us on facebook: NITECORE Flashlights

SYSMAX ind.

SYSMAX Industry Co., Ltd.

TEL: +86-20-83862000

FAX: +86-20-83882723

E-mail: info@nitecore.com

Web: www.nitecore.com

Address: Rm1401-03, Glorious Tower, 850 East Dongfeng Road, Guangzhou, China 510600



Thanks for purchasing NITECORE!