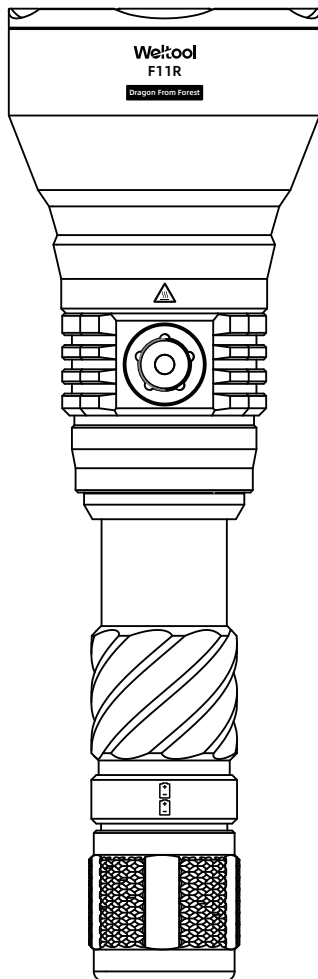


### F11R “出林龙” 充电远射手电筒



#### 产品描述:

F11R是一个可充电的聚光远射型LED手电筒，防水防尘USB-C充电结构已获专利（ZL 2019 2 0893123.0），使用两节22500可充电锂离子电池，也可以安装BB11延长管使用两节21700电池增加续航时间。全功率输出时2,100流明，443,825坎德拉，远射距离1,332米，带有爆闪功能。侧按电子开关带电量指示灯，充电口设有充电指示灯，手电带有开关锁定功能可防止误触，筒身前端可加装Weltool PM2及PM23支架，以便于将F11R安装到其他装备上使用，特别适合户外搜索、救援等用途。

#### 产品特点:

- 铝合金CNC加工，表面硬质阳极氧化处理
- 铝合金反光杯，镀膜钢化玻璃镜片，不锈钢镜片压圈
- 单颗大功率白光X-LED光源

输出参数:

	全功率	高亮	中亮	低亮	爆闪
☀ 光通量	2,100流明	1,000流明	485流明	45流明	N/A
☀ 光强度	443,825坎德拉	213,125坎德拉	88,375坎德拉	9,125坎德拉	N/A
☀ 照射距离	1,332米	923米	594米	191米	N/A
🕒 续航时间 (2*22500电池)	1小时24分钟	1小时54分钟	3小时48分钟	48小时21分钟	N/A
🕒 续航时间 (2*21700电池)	3小时45分钟	4小时49分钟	10小时52分钟	117小时26分钟	N/A

以上数据使用Weltool INR22-24及INR21-60电池在常温环境测试所得，不同测试环境及条件会对测试数据有影响，仅供参考。

- 手电筒具有电池过放电保护，电池反接保护，低电压提醒功能，低电压截止保护功能
- 全功率模式带有过热保护功能；手电无频闪、无噪音，低待机电流
- 15W快充，带有智能调节充电电流及自适应适配器负载功能
- 专利USB充电结构，防水防尘；USB口防水盖带有磁铁，充电时可将防水盖吸附在筒身上
- 标配2节22500锂离子电池，或者另购B11延长管使用2节21700锂离子电池
- IP67防护等级，可以在暴雨中使用
- 此手电通过1米高度耐摔测试
- 每只手电都有独立序列号
- 重量：379±1克（不含电池）
- 尺寸(±0.5mm)：（头部直径）65.3mm，（筒身直径）25.5-30mm，（2\*22500长度）210.5mm，（2\*21700长度）250mm
- 附送：两节INR22-24 22500锂离子电池，Type-C充电线，O圈

#### 操作说明:

- 首先正确安装电池，本产品只能使用2节锂离子电池。
- 手电筒具有极性保护功能，如无法点亮，请及时检查电池是否反接。
- 单按开关可开启或者关闭手电，开关按键上带有电量指示灯。
- 开启手电后，长按开关不松手，手电会自动切换不同的亮度，松开开关即可选定当前亮度并常亮；在关机或者任意亮度档快速双击可进入全功率档，快速三击可开启爆闪。手电关闭后会记忆关闭前的模式（但不记忆全功率和爆闪）。
- 开机瞬间或者使用过程中，电量指示灯会开启（电量充足时绿灯，低电量时红灯，5秒后指示灯自动关闭）；超低电量时红灯会一直闪烁，手电筒主灯也会闪烁，随后手电随时会关机。
- 在手电锁定状态时也可检测电量：按开关一次，电量指示灯会开启。
- 充电口有充电状态指示灯，红灯是正在充电，绿灯是已经充满。
- 充放电多次后，建议取出电池在专业锂离子电池充电器内分别为两节电池单独充电一次。

#### 开关锁定和解锁功能:

- 关机状态长按开关超过2秒即可锁定，开关按键上指示灯及主灯同时闪烁3次提示已经锁定；锁定后，手电筒会记忆锁定状态及档位，此时更换电池再次使用时需要解锁。
- 锁定后，长按开关超过2秒即可解锁，解锁后主灯会以记忆档位开启。

#### 使用提示:

- 请勿自行拆卸部件，否则将会导致保修失效并可能损坏手电。
- 手电点亮时热量会及时导出，因此使用中发热是正常现象；但不建议长时间连续点亮全功率档，当手感发热比较大时请及时转换更低的亮度档以确保不会烫伤。
- 手电高亮时请远离易燃物，不要照射眼睛和皮肤，远离儿童存放。
- 手电筒身末端及防水盖密封O圈随使用频率和时间可能会老化，请及时更换以维持防水性能。
- 当手电出现异常的闪烁或者无法点亮的时候，尝试用酒精棉签清洁导电接触面。
- 本手电防水性能优良，但不可作为潜水使用。

大连光明和电贸易有限公司

邮编：116091

电话：+86 0411-84618462

网址：www.weltool.com

地址：中国辽宁省大连市甘井子区汇利街69号24层3、4号

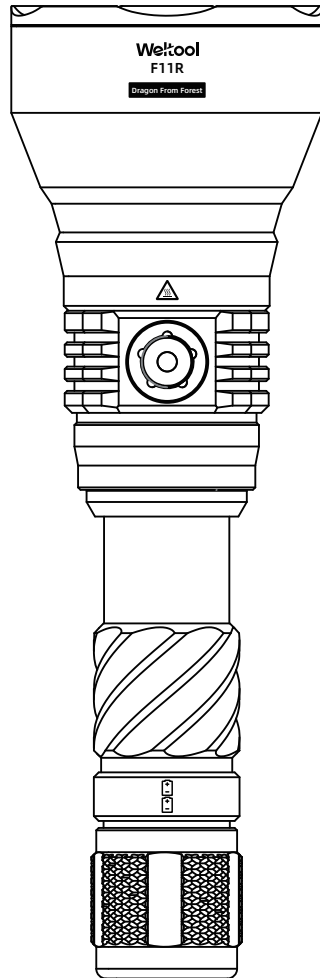


反正面，折叠两次，

高180mm，宽270mm

128g铜版纸印刷

## F11R “Dragon from Forest” Rechargeable Long-Range Flashlight



### Product Introduction:

The F11R is a rechargeable long-range LED flashlight with a patented USB-C charging structure. It uses two 22500 rechargeable lithium-ion batteries, and can also be equipped with an additional BB11 extension tube to use two 21700 batteries to increase battery life. At full power output, it has 2,100 lumens, 443,852 candela, a long-range distance of 1,332 meters, and a strobe function. The side switch has a battery indicator light, and the charging port has a charging indicator light. The flashlight has a switch lock function to prevent accidental touches. The front end of the flashlight body can be equipped with a Weltool PM2 or PM23 mount to facilitate the installation of the flashlight on a scope or shotgun. It is suitable for outdoor search, rescue, hunting and other purposes.

### Features:

- 6000 series aluminum alloy CNC machined, hard anodized surface
- Aluminum alloy reflector, coated tempered glass lens, stainless steel bezel
- Single high-power white light X-LED light source

Output:

	Full Power	High	Medium	Low	Strobe
☀ Light Output	2,100 lumens	1,000 Lumens	485 Lumens	45 Lumens	N/A
🌐 Beam Intensity	443,852cd	213,125cd	88,375cd	9,125cd	N/A
📏 Beam Distance	1,332m	923m	594m	191m	N/A
🕒 Runtime (2*22500 batteries)	1h 24min	1h 54min	3h 48min	48h 21min	N/A
🕒 Runtime (2*21700 batteries)	3h 45min	4h 49min	10h 52min	117h 26min	N/A

These data are obtained by testing Weltool INR22-24 and INR21-60 batteries at room temperature. Different test environments and conditions will affect the test data and are for reference only.

- The flashlight has battery over-discharge protection, reverse polarity protection, low voltage reminder function, and low voltage cut-off protection function
- Full power mode has overheat protection function
- The flashlight has no flicker, no noise, and low standby power
- 15W fast charging with intelligent charging current adjustment and adaptive adapter load function
- Patented USB charging structure, waterproof and dustproof, the USB port waterproof cover has a magnet, which can be attached to the flashlight body or metal
- Includes 2 22500 lithium-ion batteries, or purchase a B11 extension tube to use 2 21700 lithium-ion batteries (Weltool INR21-60 is recommended)
- IP67, can be used in heavy rain
- This flashlight has passed the 1-meter drop test
- Each flashlight has an independent serial number
- Weight: 379±1g (without battery)
- Dimensions (±0.5mm): (head diameter) 65.3mm, (body diameter) 25.5-30mm, (2\*22500 length) 210.5mm, (2\*21700 length) 250mm
- Included: two INR22-24 22500 lithium-ion batteries, Type-C charging cable, O-ring

### Product Ratings



### Operating Instructions:

- First, use the correct battery. This product can only use 2 lithium-ion batteries.
- The flashlight has a polarity protection function. If it does not work, please check the battery in time.
- Quickly press the switch to turn the flashlight on or off. There is a power indicator on the switch button.
- After turning on the flashlight, when you press and hold the switch, the flashlight will automatically switch to different modes. Release the switch to select the current mode and keep it on; in the Off state or any mode, quickly double-click to enter the full power mode, and quickly triple-click to turn on Strobe. After the flashlight is turned off, it will remember the mode before turning it off (but not full power and strobe).
- At the moment of powering on or during use, the power indicator will turn on (green light when the power is sufficient, red light when the power is low, and the indicator will automatically turn off after 5 seconds); when the power is very low, the red light will keep flashing, and the main light of the flashlight will also flash, and then it will stop working at any time.
- The power can also be detected when the flashlight is locked. Press the switch once and the power indicator will turn on.
- There is a charging status indicator on the charging port. The red light means charging and the green light means it is fully charged.
- After multiple charging and discharging cycles, it is recommended that you remove the batteries and charge each battery separately in a professional lithium-ion charger.

### Switch locking and unlocking functions:

- Press and hold the switch for more than 2 seconds in the off state to lock. The indicator light on the switch button and the main light of the flashlight will flash 3 times at the same time to indicate that it has been locked; after locking, the flashlight will remember the lock state and mode (not full power and strobe). At this time, when replacing the battery and using it again, it also needs to be unlocked.
- In the locked state, press and hold the switch for more than 2 seconds to unlock. After unlocking, the main light will turn on in memory mode.

### Notice:

- Do not disassemble the parts by yourself, which will invalidate the warranty and may damage the flashlight.
- It is normal for the flashlight to heat up when working in high and full power modes. When the hand feels hot, please switch to a lower mode in time to ensure that you will not get burned.
- When the flashlight is working, please keep away from flammable objects, do not shine it on the eyes and skin, and store it away from children.
- The O-rings at the end of the flashlight body and the waterproof cover may age with the frequency and time of use. Please replace them in time to maintain the waterproof performance.
- When the flashlight flashes abnormally or does not work, try to clean the conductive contact surface with an alcohol swab.
- This flashlight has excellent waterproof performance, but it cannot be used for diving.

Dalian Gentlite Trade Co.,Ltd.

Zip Code:116091

Tel: +86 0411-84618462

Website:www.weltool.com

Address:Room 3&4,24th Floor,No.69 Huli Street,  
Ganjingzi District,Dalian City,Liaoning Province,China

