

Features

- Premium CREE XP-L HI V3 LED
- Maximum output up to 1000 lumens
- High efficiency regulation circuit for a maximum runtime up to 130 hours
- Optimized ultra-precise reflector offers a beam distance up to 803 meters
- Intelligent charging circuit with voltage detection charges safely and rapidly
- Onboard charging port sleeve protects the port from dust and water ingress
- Four easily accessible brightness levels
- User defined mode allows for quick access to the setting last used
- Intelligent memory function stores preferred brightness settings
- Broad voltage circuit accepts both rechargeable and non-rechargeable Lithium batteries
- Waterproof in accordance with IPX-8 (submersible to two meters)
- Stainless steel bezel ring protects core components from damage
- Toughened ultra-clear mineral glass with anti-reflective coating
- Constructed from aerospace-grade aluminum alloy
- HAIII military grade hard-anodized
- Reverse polarity protection
- Stainless steel titanium-plated clip
- Anti-rolling design

Dimensions

Length: 9.84" (250mm)
 Head Diameter: 2.36" (60mm)
 Tail Diameter: 1"(25.4mm)
 Weight: 10.65oz(302g)(without battery)

Accessories

Two Nitecore 18650 Li-ion batteries(NL183), tactical ring, lanyard, charger, clip, holster, spare tailcap switch cover and spare O-ring

Battery Options

	TYPE	Nominal voltage	Compatible
18650 Rechargeable Li-ion battery	18650	3.7V	Yes (Compatible and can be recharged)
Primary Lithium battery *	CR123	3V	Yes (Compatible but can NOT be recharged)
Rechargeable Li-ion battery *	RCR123	3.7V	Yes (Compatible but can NOT be recharged)

Warning: Charge 18650 rechargeable Li-ion batteries only, do not attempt to charge non-rechargeable batteries, CR123 or RCR123 batteries.

Brightness & Runtime

FL1 STANDARD	TURBO	HIGH	MID	LOW
	1000 LUMENS	325 LUMENS	88 LUMENS	13 LUMENS
	2h15min	6h45min	27h	130h
	1h30min	4h45min	18h	75h
	803m (Beam Distance)			
	161,300cd (Peak Beam Intensity)			
	1.5m (Impact Resistant)			
	IPX-8, 2m (Waterproof AND Submersible)			

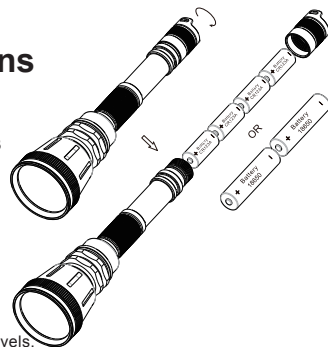
NOTICE

Stated data has been measured according to the international flashlight testing standards ANSI/NEMA FL1 using two quality NITECORE 18650 (3.7V 3400mAh) batteries or four SYSMAX CR123 (3V 1700mAh) batteries under laboratory conditions. The data may vary due to individual usage habits and environmental conditions.

Operating Instructions

Battery Installation

1. Unscrew the tailcap counter-clockwise.
2. Insert two 18650 batteries or four CR123 batteries with the positive ends pointing towards the light head.



NOTES:

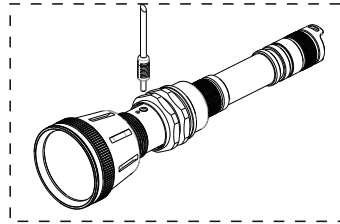
1. Do not mix rechargeable and non-rechargeable batteries.
2. Do not mix batteries of different types/brands.
3. Do not mix batteries of different power levels.

Charging Function

MH40GT is capable of charging two protected 18650 Li-ion batteries. As illustrated, loosen the metal sleeve (counter-clockwise) and connect the charging port to a power socket via the included charging cable. Switch the product on to begin charging. The average charging time for two 3400mAh 18650 rechargeable Li-ion batteries is 5 hours.

1. Under normal charging conditions, the red indicator light near the charging port will

- blink twice every second.
2. If a problem is detected during the charging process, the MH40GT will stop charging and the red indicator will blink rapidly. This is usually caused by damaged or incorrectly inserted batteries.
3. When charging is complete, the red indicator will illuminate steadily.



Cautions:

1. The MH40GT needs to be turned on in order to enter charging mode.
2. Do not charge batteries of different types or different brands together.

Switching ON/OFF

To switch ON: Press the tailcap switch until a "click" is heard.

To switch OFF: Press the tailcap switch again until a "click" is heard.

Mode Switching

The Nitecore MH40GT has two modes: Turbo and User-defined. These modes are interchangeable by tightening and loosening the flashlight head. Turbo provides 100% output while User-defined contains five selectable brightness levels and functions.

Turbo Mode

Turbo mode (1000 Lumens) is accessed by tightening the flashlight head. In this mode, press the tailcap switch partway down to momentarily turn on MH40GT, and release to turn it off. Momentary illumination can be applied for signaling and tactical purposes.

Note: in Turbo mode, the fast generated heat can increase flashlight temperature and consequently affect user experience or even flashlight life. Therefore, MH40GT will automatically lower its brightness level after 5 minutes in Turbo mode to control temperature and prolong battery life. You can switch back to Turbo mode if necessary, but using Turbo for extended period is not recommended.

User-Defined Mode

User-defined mode is accessed by slightly loosening the flashlight head. In this mode, lightly and rapidly pressing the switch will cycle through brightness and other functions in the following order: "High-Mid-Low-SOS-Strobe". The MH40GT will memorise the desired setting approximately 8 second after it is turned off.

Maintenance

Every 6 months, threads should be wiped with a clean cloth followed by a thin coating of silicon-based lubricant.

Warranty Service

All NITECORE® products are warranted for quality. Any defective / malfunctioning NITECORE® product can be repaired free of charge for a period of 60 months (5 years) from the date of purchase. Beyond 60 months (5 years), a limited warranty applies, covering the cost of labor and maintenance, but not the cost of accessories or replacement parts.

The warranty is nullified in all of the following situations:

1. The product(s) is/are broken down, reconstructed and/or modified by unauthorized parties.
2. The product(s) is/are damaged through improper use.
3. The product(s) is/are damaged by leakage of batteries.

For the latest information on NITECORE® products and services, please contact local NITECORE® distributor or send an email to service@nitecore.com

※ All images, text and statements specified herein this user manual are for reference purpose only. Should any discrepancy occurs between this manual and information specified on www.nitecore.com, information on our official website shall prevail. Sysmax Industry Co., Ltd. reserves the rights to interpret and amend the content of this document at any time without prior notice.



SYSMAX Industry Co., Ltd.

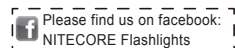
TEL: +86-20-83862000

E-mail: info@nitecore.com

Address: Rm1401-03, Glorious Tower, 850 East Dongfeng Road, Guangzhou, China 510600

FAX: +86-20-83882723

Web: www.nitecore.com



20151103